



# INSTRUCTION MANUAL

# Contents

pages

<b>Introduction .....</b>	<b>2</b>
<b>Description.....</b>	<b>5</b>
<b>Assembly.....</b>	<b>6</b>
<b>Alkaline or Rechargeable Batteries, Battery Life, Battery Low Alert .....</b>	<b>8</b>
<b>Controls.....</b>	<b>10</b>
<i>Start I/O, Sensitivity .....</i>	<i>10</i>
<i>Iron Threshold.....</i>	<i>11</i>
<i>Ground .....</i>	<i>12</i>
<i>Silencer.....</i>	<i>13</i>
<i>FREQ. SHIFT.....</i>	<i>14</i>
<i>Iron Volume.....</i>	<i>15</i>
<b>Multi Tones Information .....</b>	<b>16</b>
<b>Detecting Techniques .....</b>	<b>18</b>
<b>Care Instructions .....</b>	<b>19</b>
<b>Trouble Shooting Problems .....</b>	<b>21</b>
<b>Advice to Detectorists.....</b>	<b>22</b>
<b>Specifications .....</b>	<b>23</b>
<b>XP Accessories.....</b>	<b>24</b>
<b>Warranty conditions .....</b>	<b>26</b>

# INTRODUCTION

# 1

## ***CONGRATULATIONS ON PURCHASING AN XP METAL DETECTOR AND WELCOME TO THE WORLD OF RESEARCH AND EXPLORATION!***

*You have invested in a high tech detector with extreme performance, designed and developed in France. Therefore, you are taking part in the development of the research in the field of metal detecting undertaken by our company, we thank you for that.*

**GMAXX II** is a clever combination of analog/digital technology and benefits from the latest advances in the field. Our knowledge of that technology has led us to integrate a microprocessor to analyze discrimination signals. This microprocessor, faster for discrimination signal analysis, gives our detectors an increased power and stability, as well as a better rejection of unwanted targets. Thanks to its 4,6 kHz search frequency, the **GMAXX II** is a powerful and versatile detector for coins and artefacts in various types of ground.

The development of the **GMAXX**, the **GMAXX II** has led to the inclusion of a new circuit board with specially optimised specifications. This new powerful circuit board combining performance and choice - two aspects which are usually very difficult to bring together.

- ✓ ***faster target detection through the use of new, more discriminating analogue filters. It will therefore be easier for you to pinpoint targets in iron infested areas.***
- ✓ ***the transmitter of the XP wireless headphones is integrated on your detector's circuit board. You can therefore use our optional wireless headphones without having to change parts to change channels.***
- ✓ ***The IRON THRESHOLD potentiometer enables you to adjust the iron level setting threshold to a low tone.***
- ✓ ***The new FREQ. SHIFT switch gives you the option of choosing between two working channels for the XP wireless headphones - channel 1 or channel 2 - and between two detection frequencies - Freq 1 or Freq 2 - for your detector. You can then search for targets in the same area as another XP detector without any interference issues.***

# I N T R O D U C T I O N

# 1

You will find it much easier to adjust the controls to optimise your search technique to the type of area you are searching in, thanks to the Multi-Tone mode with setting of the low tone (IRON LEVEL) and the rocker threshold.

We chose instantaneous sound signalling, rather than an LCD display because of the extraordinary ability of the human ear to analyse compared to an LCD display.

LCD displays cannot respond in real time and do not capture weak signals that are too brief or too close to other signals

*GMAXX II sound signalling provides real-time output of the most imperceptible signal.*

# INTRODUCTION

# 1

You will appreciate the sturdiness and the manufacturing quality of our equipment.

Because a metal detector is generally used in extreme conditions, we have given full attention to the most sensitive parts. **GMAXX II** is been developed and manufactured with quality components and material, thus ensuring your XP detector a maximum useful life.

- Connector XP : designed to resist movement failures, moulded, *completely waterproof*, gold contacts (30 µ gold plated)
- New Cable, double electromagnetic shield, very resistant, designed to resist movement failures.
- Robust, waterproof and lightened search coil,
- Very tough polypropylene armrest,
- Telescopic stem, stored away instantly and easier handled
- Fibreglass impregnated lower stem.
- Provided with Hipmount bag/control box cover, backphone and coil cover.

## **GMAXX II**

*Is a high performance detector specially designed  
to give you greater ease of use.*

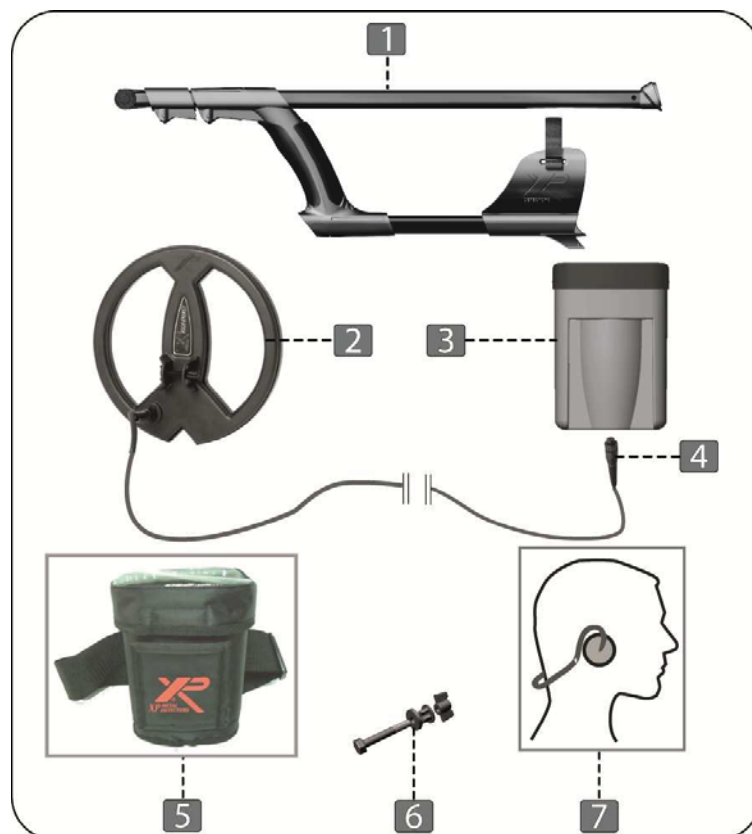


*Before using your detector for the first time, we recommend that you read this instruction manual carefully in order to make full use of its abilities.*

# DESCRIPTION

# 2

- 1 - Full telescopic stem, includes a fibreglass impregnated lower stem.
- 2 - Robust, waterproof search coil. Diam.9" (22.5 cm), provided with coil cover.
- 3 - ABS electronics box
- 4 - Specific XP connector, Waterproof.
- 5 - Protection bag
- 6 - Coil fixing system
- 7 - Headphones FX-02



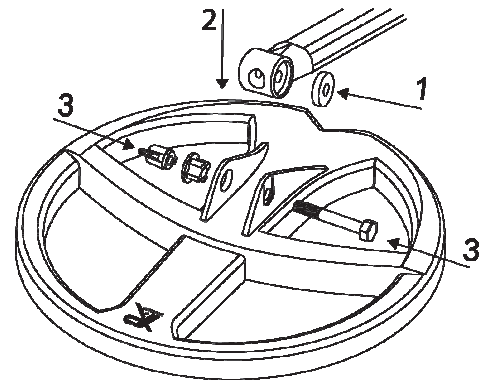
# ASSEMBLY OF DETECTOR

## 3

The assembly of your detector will only take you a few seconds.

Put the shaft together as shown on the diagram.

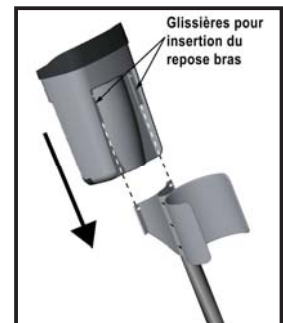
- Put the rubber washers on the side of the fibreglass tube (1).
- Insert the fibreglass tube on the search head (2).
- Insert the new coil fixing parts as shown on the diagram and screw (3).



The electronic box of your detector can be positioned in 2 different ways:

### Option 1 : Under the armrest

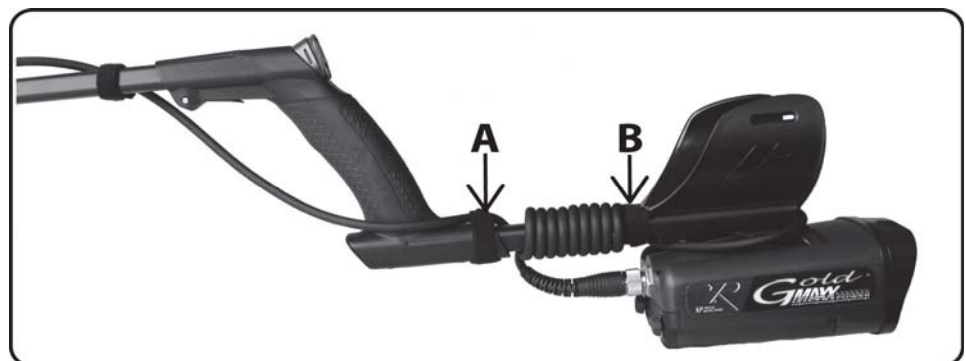
To fix it, insert the 2 wings of the armrest in the slides of the electronic control unit, as indicated on the diagram.



Once the control box in place under the armrest, wind the cable around the telescopic shaft as indicated on the photo.

Use the 2 pieces of Velcro® (A and B) to keep the cable in a spiral position.

Insert now the connector (female) in its panel connector (male), screw it, the connector is now watertight.





# ASSEMBLY OF DETECTOR

# 3

To hold the cable along the telescopic stem you can use Velcro® strip as shown on the photo below(C & D).

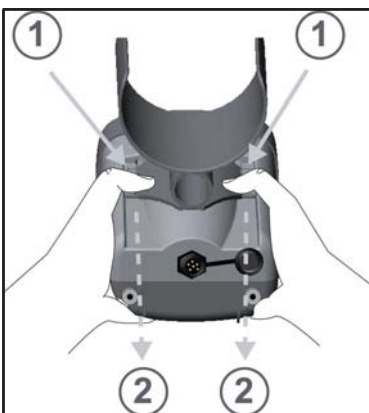


## Option 2 : Electronic box hipmounted



Insert the control box into the hipmount bag.  
Then insert the connector (female) in its panel  
connector (male) and screw it.

## ❶ Removal of control box



To remove the control box from the armrest, proceed as indicated below.

Put your hands around the control box and press slightly with your thumbs on the side of the armrest (1).

Whilst you keep the pressure on, slip the armrest off, and remove completely the control box from the armrest (2).

*The hipmount bag provided with your detector can allow you to protect your detector from rain when the electronic box is fixed on the armrest.*



# ALKALINE OR RECHARGEABLE BATTERY, BATTERY LIFE, BATTERY LOW ALERT

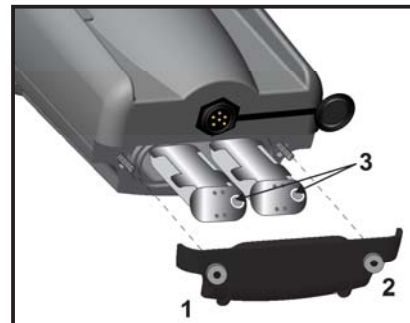
# 4

## ALKALINE BATTERIES

GMAXX II powered with 12 volts from 8 AA Alkaline battery using 2 battery holders, 4 batteries in each.

Pay close attention to the battery  $\pm$  polarity before inserting the batteries holders in the electronic box.

The metal rivets (3) of the batteries holder must be on the right (-). Screw the nuts 1 and 2 to close the batteries lid, not too tight.



*If you are not using the detector for more than a month, remove the alkaline batteries from the detector.*

## BATTERIES NIMH

To power your detector you can use rechargeable battery.

The insertion of the rechargeable battery is similar to the Alkaline batteries.

### ***Recharging the batteries can be done in a very simple way:***

Always turn off the detector before recharging batteries. Remove the search coil connector from the control box and insert the charger instead. 12 to 18 hours are necessary to have a full recharge.

***Avoid leaving the batteries recharging for more than 20 hours.***

**WARNING! Before inserting your charger, check that you are not recharging alkaline batteries.**

**ALKALINE OR  
RECHARGEABLE  
BATTERY, BATTERY  
LIFE, BATTERY LOW  
ALERT**



*BATTERY LIFE* \_\_\_\_\_

Alkaline batteries about 50 hours with headphones.  
Rechargeable Batteries NiMh about 40 hours with headphones.

*BATTERY LOW ALERT* \_\_\_\_\_

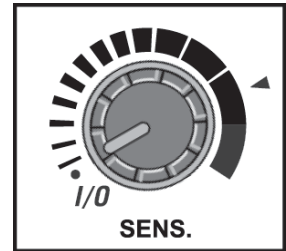
When the battery voltage is too low to power the detector, you will hear a series of beeps like an alarm.  
You must change the batteries soon.

# CONTROLS

# 5

## *ON I/O, SENSITIVITY* \_\_\_\_\_

Turn the machine on with the SENSITIVITY I/O control. You will hear some quick "beeps" which will tell you that the detector is correctly operating. Then you can detect.



*Avoid testing your detector inside your house or in shops because you can encounter a lot of metallic and electromagnetic interference (reinforced concrete, pipes, cables and fluorescent lights).*

The control also enables you to adjust the sensitivity of your detector. The sensitivity level determines the depth of detection and the stability of your machine. It can be adjusted to suit the environment so as not to be plagued with false signals.

Please note that this new detector has a more advanced SENSITIVITY setting compared to previous GMAXX II model, enabling you to make gradual adjustments to help alleviate false signals.

The range of adjustments has been widened to offer more sensitive adjustments at the top end of the range.

You should therefore not be surprised if you have to lower the potentiometer settings on bad ground. The performance of the machine will not diminish.

## *IRON THRESHOLD*

---

The GMAXX II is still a "multi-tone" detector, but users can now adjust the iron level setting by using the IRON THRESHOLD potentiometer.

*This potentiometer can be seen as a discrimination setting with a range only covering iron.* It has fine-tuning settings ranging from 0 to 10.

At 0, all iron sounds at medium pitch. The higher the setting, the lower the pitch for iron targets.

*This, for example, enables small nails just to be picked up at a low tone, whereas larger ones will be detected at medium tone.*



As you will doubtless already know, too high a level of discrimination can hinder the performance of a detector.

This setting was previously preset to be suited to the majority of users. But most of the time, beginners do not want iron to register on their machines, whereas more advanced users prefer to have this detection option to make it easier to pinpoint coins on difficult terrain.



Use the Auto mode if you do not wish to worry you about the setting of this potentiometer, it will allow you to have a good rejection of ferrous targets & at the same time coke.



*By default, the GMAXX II is a triple-tone detector, but users can set it to double tone mode using the SILENCER switch:*

*Switch the SILENCER from position I to position II twice within the space of two seconds. Your machine will then be in Double-Tone LOW / MEDIUM mode or in MEDIUM Mono-Tone mode if the IRON THRESHOLD potentiometer is set at minimum, to go back to triple tone you will need to turn off the detector & start again.*

## GROUND

---

With this control you can correct ground effects and more accurately reject ferrous minerals or any pottery containing iron oxides.



**GROUND**

If you are prospecting on grounds loaded with magnetic stones, it might be a good idea to keep a sample of these rocks on you to adjust your detector before detecting this type of ground. You only need to move a hot rock in front of the search coil turning slowly the GROUND control from left to right so as to obtain a total rejection of the stone.

If the mineralization is too scattered, sweep the head on the ground and turn the control progressively from left to right in order to get good stable detector. On mineralised ground, these procedures will optimise your searches.



*For maximum depth penetration, do not turn this setting towards the right more than necessary. The red arrow indicates a basic position suitable for most ground.*

## *SILENCER*

---

The silencer can limit false signals caused by iron. Use position I or II if you desire a quieter search. Silencer in position II will allow to get used to **GMAXX II** faster and will improve iron rejection.



- 0 : Silencer OFF
- I : Silencer (advised position)
- II : Silencer X 2

Silencer in position 0 or I will enable you to find the decent targets which are close to ferrous targets.

Position I or II is also a very useful setting in the Multi-Tone mode, since it increases the detector's ability in the detection of ferrous objects and reduces its differences between low and medium pitches.



*By default, the GMAXX II is a triple-tone detector, but users can set it to double tone mode using a SILENCER switch:*

*Switch the SILENCER from position I to position II twice within the space of two seconds. Your machine will then be in Double-Tone LOW / MEDIUM mode, or in MEDIUM Mono-Tone mode if the IRON THRESHOLD potentiometer is set at minimum.*

*To go back to triple tone you will need to turn off the detector & start again.*

## *FREQ. SHIFT.*

The FREQ. SHIFT switch eliminates interference which would otherwise be caused between two XP detectors used within close proximity of each other.



It can act on two settings simultaneously:

*the working frequency of your detector:*

✓ Freq1 or Freq 2

*the wireless headphone output channel:*

✓ CH1 or CH2

How to use the FREQ. SHIFT. switch.

*If you are working ALONE without your XP wireless headphones:  
it is better to use FREQ. SHIFT.*

✓ *on the middle setting: DETECT Freq1 / WS1 OFF position*

*The XP wireless headphone output will be switched off and therefore not use up power. The detector will be set on frequency 1.*

*If you are working ALONE with an XP wireless headphones:  
you can use FREQ. SHIFT.*

✓ *on a low setting: DETECT Freq 1 / WS1 CH2 position*

✓ *on a high setting: DETECT Freq 2 / WS1 CH1 position*

*You should also consider adjusting the input channel of the XP wireless headphones on the earpiece. Simultaneously hold down the ± buttons for five seconds. See the XP wireless headphones user manual for more information.*



*If you are working WITH A PARTNER without an XP wireless headphones:  
you can use **FREQ. SHIFT**.*

- ✓ *on the middle setting: **DETECT Freq1 / WS1 OFF** position on YOUR device.*
- ✓ *on a high setting: **DETECT Freq 2 / WS1 CH1** position on your partner's device, even if they are not using an XP wireless headset.*

*If you are working WITH A PARTNER, with an XP wireless headphones:  
you can use **FREQ. SHIFT***

- ✓ *on a low setting: **DETECT Freq 1 / WS1 CH2** position for YOUR device*
- ✓ *on a high setting: **DETECT Freq 2 / WS1 CH1** position for your partner's device.*

*In any event, please refer to the XP wireless headphones user manual before use.*

## *IRON LEVEL*

---

This control allows you to adjust the audio level of the low tone (iron signals, also coke).

- **Min.** = iron (low) tone is off
- **Max.** = you will now hear all low tones
- **Intermediate levels** will allow you adjust to whatever level you prefer.



# MULTI-TONE INFORMATION

## 6

In Multi-Tone mode the signal tones vary depending upon the object found. The pitch of signal depends upon conductivity, the higher the conductivity, the higher the pitch.

Iron has a very special signature that can be recognised easily. We have assigned it a low-pitched sound together with a volume setting (**IRON LEVEL**) so that you can make the low tone more or less conspicuous. (This is assigned to iron and coke).

This operating mode allows for improved analysis and understanding of the detected area, e.g. in order to find areas of former human habitation. It also facilitates recognition of large ferrous objects (such as old weapons). Everybody will find a use for it.

On certain types of ground, especially those contaminated by copper shot gun cartridges or little pieces of aluminum foil, **GMAXX II** will can signal the presence of debris by means of a **medium-pitched tone**, whereas as **decent targets** will trigger a **high-pitched sound**. It is up to the user to decide whether or not to dig, depending on how promising the area is, the type of target he or she is looking for and the density of rubbish, since certain small "decent" targets, such as very small coins, may also trigger a medium sound.

# MULTI-TONE INFORMATION

# 6

In addition to these three basic tones, **GMAXX II** has another advantageous feature: it can produce several different tones **simultaneously** for targets in intermediate categories. Your ear will eventually grow accustomed to this abundance of sounds.

Certain medium-sized ferrous masses that are usually hard to identify are signaled by a simultaneous low/medium/high pitch (except for very large ferrous masses, of course, which generate a high pitch). It takes a little bit of practice to accustom your ear to the various tones.

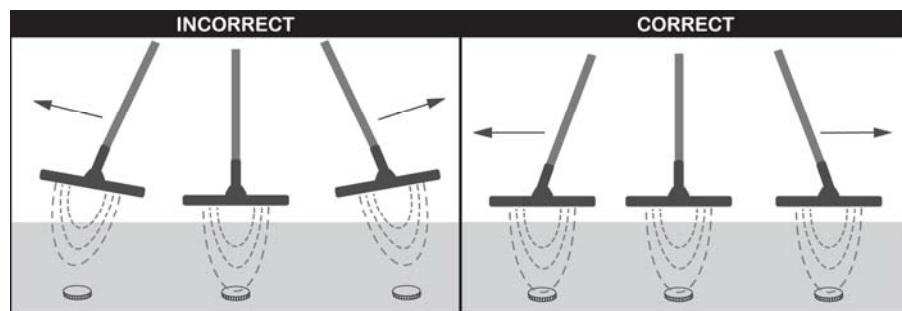
# DETECTING TECHNIQUES

# 7

GMAXX II is a motion detector, which means that target detection can be carried out only when the search coil is moving.

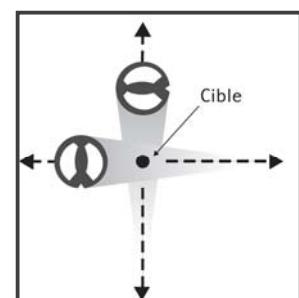
When you detect an area, it is important to sweep with the head as close as possible to the ground with wide movements, but not making contact with the ground.

Keep the head parallel to the ground following the relief as much as possible.



To pinpoint a target, use quick crossed sweeps, with the coil over the target taking note of where the strongest audio signal is received.

The exact location of the target is under the centre line of the search coil from front to back and can then be determined by 'x'ing'.



# CARE INSTRUCTIONS

## 8

Our detectors are designed to be as robust as possible, however, like any electronic precision instrument, they require some care.

The XP search coil cable has been designed so as to resist long term movement. However you should take some precautions and prolong the life of your detector :

⇒ to remove the connector from the control box, it is important never to pull on the cable only the connector.

⇒ It is important to leave enough slack at the bottom of the cable near the coil to allow for adjusting the coil angle without placing strain on the cable.

⇒ It is important not to replace the Velcro with tape as this will centre the movement on one single part of the cable.

⇒ When the box is hipmounted, put it on your side or on your back in order not to fold the cable of the connector when you lean forward. (Diagram 1)

⇒ when the box is hipmounted, to prevent strain on cable and connector, you should slide the cable through the hipmount bag belt strap. Diagram 2

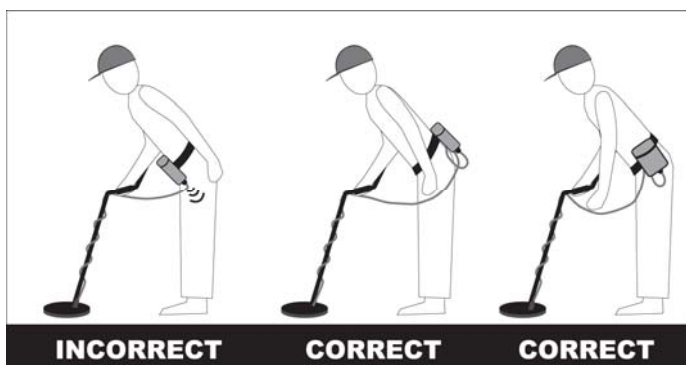


diagram 1

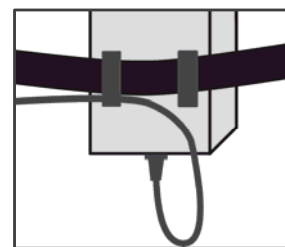


diagram 2

# CARE INSTRUCTIONS

## 8

Not adhering to these precautions will lead to long term damage of the cable and void the warranty due to user negligence.

*⚠ If you are not using the detector for more than a month, remove the alkaline batteries from the detector.*

*⚠ Do not expose your detector to high temperatures.*

# TROUBLE SHOOTING PROBLEMS

# 9

PROBLEMS	CAUSES	SOLUTIONS
You hear a series of beeps with a regular interval.	Low batteries.	Change the batteries.
	Wrong polarity	Check if you have correctly inserted the batteries in each pack. One battery might be in the wrong way around.
You can't start your detector.	Batteries are badly inserted or upside down.	Check the way the batteries have been inserted in the 2 battery holders (refer to chapter 4)
	A 6.35 plug is inserted in the headphone plug.	Remove it.
	The loudspeaker is defective.	Plug in headphones to check.
You notice excessive false signals without reasons	The sensitivity is too high.	Lower it.
	The search coil connector is badly fitted to the control box	Re fit it without forcing.
	Your headphone cable is defective.	Change the headphones.
	You are passing through an area with a lot of interference (high voltage cable, electric transformer, electric fence).	Lower the sensitivity or get away from this area.
	You are close to other metal detectors.	Change frequency using the <b>FREQ. SHIFT</b> (refer to chap.5)
You notice false signals when the search head knocks the ground.	<b>GROUND</b> control is too low.	Turn the <b>GROUND</b> control slightly to the right until false signals stop.
The detector beeps on pottery & "hot rocks" (not coke)	<b>GROUND</b> control is too low.	Turn the <b>GROUND</b> control slightly to the right until false signals stop.

*If the problem persists, contact your retailer for advice.*



# ADVICE TO DETECTORISTS

# 10

Detecting is an activity, which like other leisure activities requires some guiding principles. These few recommendations will allow you to fully enjoy it while respecting laws, environment and other people.

- *Enquire about and abide by the laws in force of the country or the state before searching. It is of your responsibility to know them and to abide by them.*
- *Always ask the permission of the land owners where you want to search.*
- *Have regard for the natural environment in which you are searching.*
- *Don't forget to backfill all holes you dig.*



*Avoid detecting in zones where battles took place during the wars. Report any suspect object you might discover to the authorities.*

# S P E C I F I C A T I O N S

11

## BATTERIES

8 AA Alkaline batteries.

Rechargeable batteries NiMh 2300 mA can be used instead of Alkaline batteries.

## ELECTRONIC BOX

ABS electronic box with joint seal. It can be worn under the armrest, or hip-mounted.

## SEARCH COIL

Wide scan (Double D), Diameter: 9" (22.5 cm), provided with coil cover. Cable length : 2.35 m

## WIRELESS TRANSMISSION

XP Wireless headphone transmitter CH1/CH2, includes.

## SHAFT

Full telescopic stem, provided with fibreglass lower stem. This telescopic stem can be stored away instantly and easier handled

## LOUDSPEAKER

28 mm, 8 ohms, Weather resistant

## HEADPHONES

Jack 6.35 stereo. Backphone with volume control.

## FREQUENCIES

Freq 1 : 4590 HZ - Freq 2 : 4460 HZ

## WEIGHT

Box .....	340 gr
Head with cable .....	480 gr
Head + shaft + control box + hipmount bag.....	1550 gr
Full package .....	2400 gr

# XP ACCESSORIES

Provided by all our distributors

# 12



**Standard Search coil DD 9"**  
(22.5 cm) provided with coil cover

**Search coil DD High Energy 11"** (27 cm)  
provided with coil cover



**Elliptical Search coil**  
**5" x 10"** (11/24cm)  
provided with coil cover

**Concentric search coil 10"x8"**  
- 25\*21 cm  
provided with coil cover



**Search coil DD 18"x15"**-  
45x38 cm

**Search coil DD 14"x11"**-  
30x36 cm

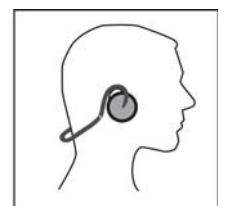


**Hipmount bag.** It can be used to protect electronic box from rain fixed on armrest or hipmounted.

## ***FX-02 Headphones :***

Audio level adjust

- Impedance and sound adapted to our detectors
- 6.35 jack adaptator
- Foldable in 3 parts



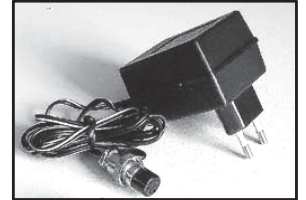
# XP ACCESSORIES

Provided by all our distributors

# 12



XP transport bag



Batteries charger



## Wireless Headphone WS2

2 Channels

Specially designed for XP Metal Detectors.



## Wireless Headphone WS3

Specially designed for XP Metal Detectors.

### **WS2 and WS3 specifications**

- ✓ 2 selectable channels.
- ✓ Digital sound transmission by microprocessor
- ✓ The radio transmitter is directly integrated into all our detectors' circuit boards.
- ✓ Miniaturised electronics
- ✓ Headphone built in edge extra flat rechargeable Lithium battery (7g)
- ✓ battery life : 50 hours
- ✓ Fast Lithium charger: full charge in 2 hours.
- ✓ Charge monitoring system and full charge LED
- ✓ Adjustable/Memorizable volume

### **WS2 specifications only**

- ✓ Removable earpiece
- ✓ Compact and lightweight, the headphone weighs less than 70g, battery included

## **GMAXXII – 5 YEARS LIMITED WARRANTY**

XPLORER ensures a contractual warranty from the date of purchase :

- 5 years on the electronic box, the search coil, detector shaft and its components (armrest, twist lock...) and on the battery charger.

This warranty does not cover :

- Breakage caused by falls, impacts or accidental damage
- Damage caused by abnormal use or resulting from non-compliance with the conditions of use stipulated in the device's instructions
- Alteration of the electronic circuit by any unauthorized person.
- Using without coil cover, or using defective coil cover
- Corrosion of electronic circuits, due to water ingress
- Breakage of cables or wires
- The FX02 headphone

Spare parts are not cover by the 5 years warranty:

- Parts that are subject to normal wear and tear like: coil cover, coil bolts & fittings, cases etc... (These parts must be replaced in case of wear and tear, in such a way that no damage will be caused to the device).

In the event of any fault or malfunction please contact your XP dealer for advice, should any part require returning to them or the distributor it must be accompanied by a note explaining the fault, carriage/shipping cost is the customer's responsibility. Proof of Purchase is required to make a claim under this warranty. If a faulty device has been replaced by a new or reconditioned one, the warranty will continue from the original purchase date.

***XPLORER reserves the right to change the design or specifications of its detectors without notice***



## *Declaration of conformity for E.C*

This declaration is the responsibility of manufacturer: XPLORE SARL - ZI DE VIC - 8 rue du développement - 31320 CASTANET TOLOSAN - France

This certifies that the following designated product is in conformity with EEC directives 2004/108/CE & 92/31/EEC in accordance with standard : EN 55022

And complies with the essential protection requirements of R&TTE Directive 1999/5/EC on the approximation of the law of the Member States relating to the Radio Spectrum Matters, EMC and Electrical Safety.

Assessment of compliance of the product with the requirements relating to the essential requirements of the Directive and the unified standard EN301489-3 V, EN300220-2 V2.1.2 and EN300330.

## *Disposal of Waste Electrical and Electronic Equipment in the European Union and Other Countries/Regions with Separate Collection Systems*



This symbol on the product or its packaging means that this product must not be disposed of with your household waste. Instead, it is your responsibility to hand this over to an applicable collection point for the recycling of electrical and electronic equipment. This separate collection and recycling will help to conserve natural resources and prevent potential negative consequences for human health and the environment, which inappropriate disposal could cause due to the possible presence of hazardous substances in electrical and electronic equipment. For more information about where to drop off your electrical and electronic waste, please contact the shop where you purchased this product.



[www.xpmetaldetectors.com](http://www.xpmetaldetectors.com)

Web site

e-mail [info@xpmetaldetectors.com](mailto:info@xpmetaldetectors.com)

XPLORER sarl - ZI de vic - 8 rue du développement  
31320 CASTANET TOLOSAN - FRANCE